

WATERFALL AUDIO

SOUND DESIGNERS

MADE IN FRANCE



DATA SHEET ELORA EVO L/R

KEY POINTS

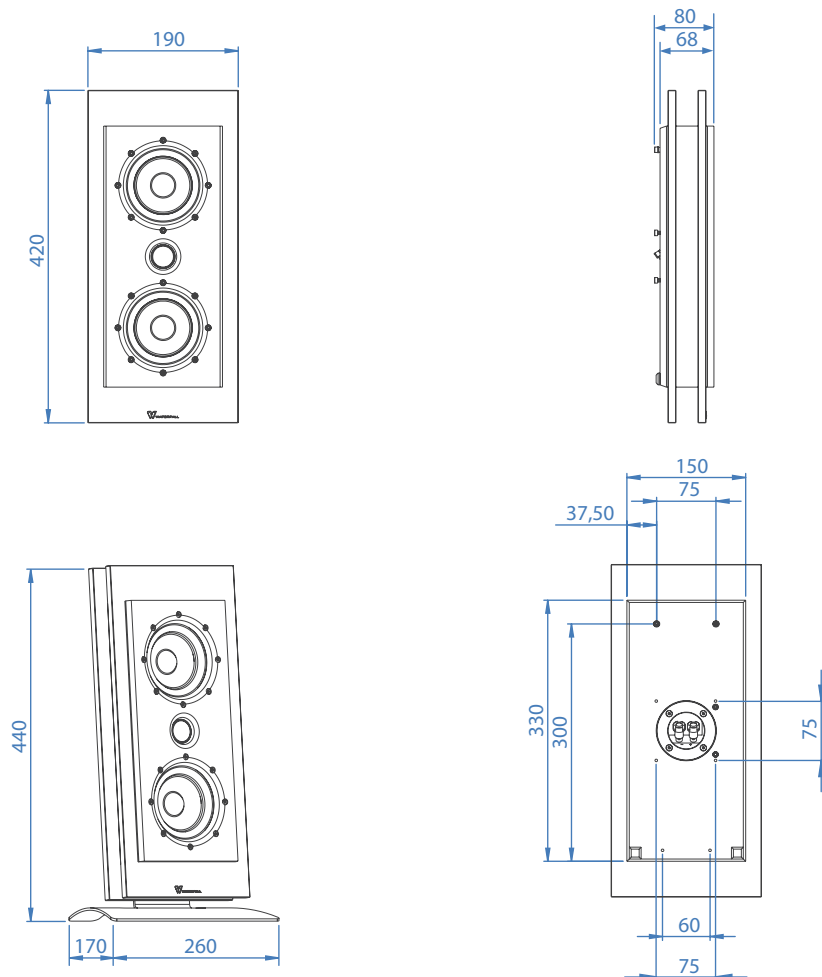
- On Wall speaker/satellite
- Very slim: 8 cm/ 3.15" thickness
- Unequaled performances for this very compact speaker
- High power handling*, patented "Heatstream" technology
- Exceptional finish, 2 decorative safety glass panels 10 mm/ 0.39" thick and solid carved aluminum parts
- Interior design flexibility: optional magnetic grills (black or white)

Installation options:

- On wall Horizontal (wall bracket included)
- Aluminium shelf stand (optional)
- Compatible with articulated wall mounts: VESA 75 standard

AUDIO APPLICATIONS

- Stereo system 2.1 or Home Cinema associated to our HF2-250X or HF3-500X subwoofers
- Can be used without a subwoofer for multiroom, luxury conference rooms, hotels, restaurants
- Perfect to be associated to Flat TV panel
- Suitable for rooms 20 to 50 m² / 215 to 540 ft²



TECHNICAL DETAILS

TYPE	2 ½ way, 3 drivers, closed
RECOMMENDED AMPLIFIER*	30-200 Watts
PEAK POWER	400 Watts
IMPEDANCE (AVERAGE/MINI)	8 / 4 Ohms
EFFICIENCY (2.83V/1M)	90 dB
FREQUENCY RESPONSE (+/- 3dB)	120 Hz – 28 kHz
BASS / MIDRANGE DRIVER	2 x 100 mm / 4", Atohm LD100
TWEETER	1 x 20 mm / 0,75", Atohm SD20
DIMENSIONS (width x depth x height in mm) (approx. inches)	190 x 80 x 420 / 7.48" x 3.15" x 16.54"
WEIGHT Kg / approx. lbs	6 kg / 13.2 lbs

* Power handling: the use of an amplifier beyond its limits provokes clipping of the signal which might lead to destruction of the speaker (burnt voice coils). These damages are not covered by warranty.

WATERFALL AUDIO

ZA les praderies - 83 570 Carcès - France
waterfallaudio.com

Made in France. 5 years warranty on speakers, 2 years warranty on amplifiers (parts & service). We operate a policy of continuous improvement and reserve the right to amend designs and specifications without prior notice.



All drivers are developed and manufactured by ATOHM (France).