

WATERFALL AUDIO

SOUND DESIGNERS

MADE IN FRANCE



DATA SHEET

HURRICANE EVO

KEY POINTS

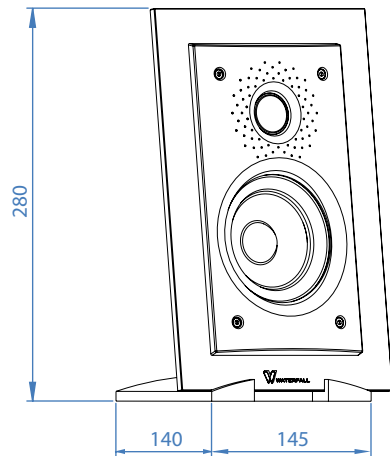
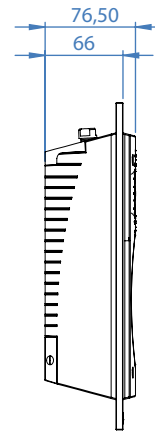
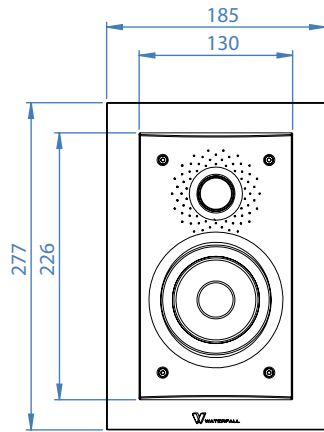
- On wall speaker/satellite, less than 8cm thickness
- High power handling*, patented "Heatstream" technology
- Excellent finish, choice materials: safety glass and die cast aluminum
- Choice of black or white body with matching grill color

Installation options:

- On wall vertical (bracket included)
- On wall angled (bracket supplied upon request)
- On shelf stand (optional black or white)

AUDIO APPLICATIONS

- Stereo 2.1 system or Home Cinema by adding HFM-200X subwoofer or HF2-250X subwoofer.
- Surround speaker for A/V with Waterfall floor standing speakers Iguasçu XT or Victoria XT
- Possibility of use without a subwoofer if positioned in a corner /angle (95 Hz, -6dB) for multiroom or low volume music in restaurants, hotels, conference rooms
- Perfect to be associated to Flat TV panel
- Suitable for rooms 15 to 40 m²/ 160 to 430 ft²



TECHNICAL DETAILS

TYPE	2 way, closed
RECOMMENDED AMPLIFIER*	50 - 150 Watts
PEAK POWER	300 Watts
IMPEDANCE (AVERAGE/MINI)	8 / 4 Ohms
EFFICIENCY (2.83V/1M)	87 dB
FREQUENCY RESPONSE (+/- 3 dB)	120 Hz - 28 kHz
BASS / MIDRANGE DRIVER	1 x 100 mm / 4", Atohm LD100
TWEETER	1 x 20 mm / 0.75", Atohm SD20
DIMENSIONS (width x depth x height in mm) (approx. inches)	185 x 76.5 x 277 / 7.28" x 3" x 10.91"
WEIGHT Kg / approx. lbs	2.0 kg / 4.4 lbs

* Power handling: the use of an amplifier beyond its limits provokes clipping of the signal which might lead to destruction of the speaker (burnt voice coils). These damages are not covered by warranty.

WATERFALL AUDIO

ZA les praderies - 83 570 Carcès - France
waterfallaudio.com

Made in France. 5 years warranty on speakers, 2 years warranty on amplifiers (parts & service).
 We operate a policy of continuous improvement and reserve the right to amend designs and specifications without prior notice.



All drivers are developed and manufactured by ATOHM (France).