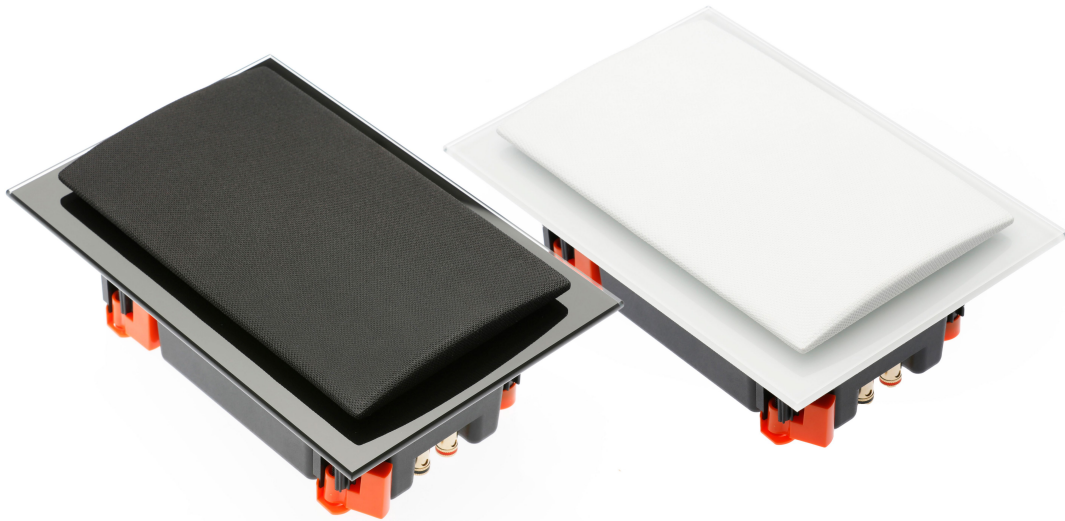


WATERFALL AUDIO

SOUND DESIGNERS

MADE IN FRANCE



DATA SHEET

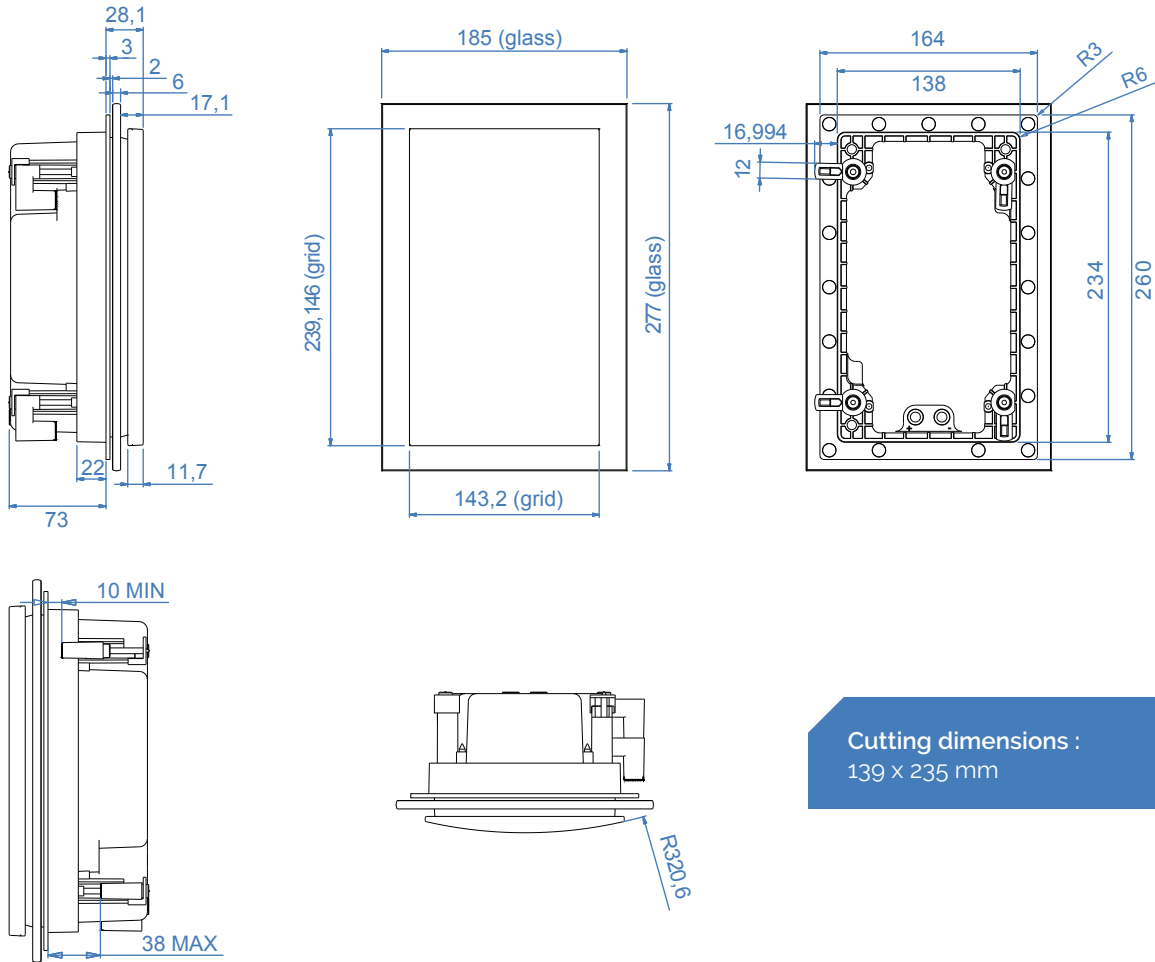
HURRICANE EVO IN WALL GLASS

KEY POINTS

- Unique on the market:
 - In-wall with a glass plate finish
 - Black or white colored glass available
- Easy to install:
 - Small depth (73mm / 2.87")
 - Fast lock system for quick positioning
 - 2 individual parts: back box & front panel (based on Hurricane Evo), reducing potential theft and damage on projects. Installing of speaker part at the last stage of project
- Performance guaranteed whatever structure of the wall:
 - Innovating and technical back box in reinforced fibre ABS material, for a stiffening effect
 - Asphalt sheet and insulating material for optimal density
 - Damping material

AUDIO APPLICATIONS

- In wall surround or ceiling mount, for residential home cinema
- Stereo 2.1 system or multichannel with the use of a subwoofer HFM-200X or HF2-250X
- Possible use without a subwoofer for multi room use (residential, commercial, hotels, conference rooms). Excellent TV speaker for high definition sound.
- Suitable for rooms 15 to 40 m²/ 160 to 430 ft²



Cutting dimensions :
139 x 235 mm

TECHNICAL DETAILS


TYPE	2 way, closed
RECOMMENDED AMPLIFIER*	50 - 150 Watts
PEAK POWER	300 Watts
IMPEDANCE (AVERAGE/MINI)	8 / 4 Ohms
EFFICIENCY (2.83V/1M)	87 dB
FREQUENCY RESPONSE (+/- 3 dB)	90 Hz - 28 kHz
BASS / MIDRANGE DRIVER	1 x 100 mm / 4", Atohm LD100
TWEETER	1 x 20 mm / 0.75", Atohm SD20
DIMENSIONS (width x depth x height in mm) (approx. inches)	185 x 101 x 277 / 7" x 4" x 10.79"
WEIGHT Kg / Approx lbs	3.0 kg / 6.6 lbs

* Power handling: the use of an amplifier beyond its limits provokes clipping of the signal which might lead to destruction of the speaker (burnt voice coils). These damages are not covered by warranty

WATERFALL AUDIO

ZA les praderies - 83 570 Carcès - France
waterfallaudio.com

Made in France. 5 years warranty on speakers, 2 years warranty on amplifiers (parts & service).
We operate a policy of continuous improvement and reserve the right to amend designs and specifications without prior notice.

 All drivers are developed and manufactured by ATOHM (France).