

WATERFALL AUDIO

SOUND DESIGNERS

MADE IN FRANCE



DATA SHEET

FLOOR STANDING GLASS LOUDSPEAKERS

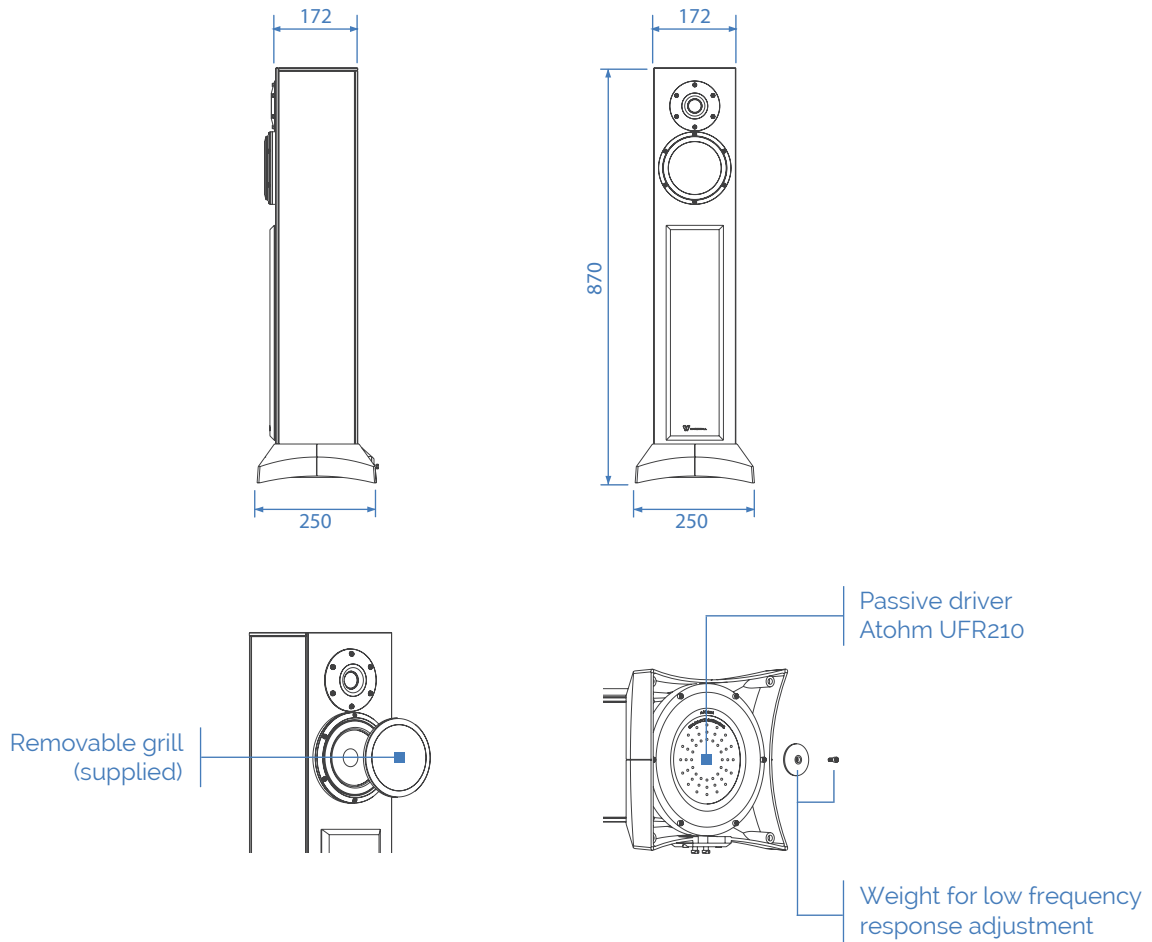
IGUASÇU XT

KEY POINTS

- Safety glass, for residential use (indoor)
- Unique and timeless design, blends into any interior
- Optimum performance considering dimensions
- Flexible to all music types and programs
- 21 cm / 8" Passive driver with tunable low frequency (1 weight supplied)

AUDIO APPLICATIONS

- Hifi
- Home cinema front or rear speakers associated to the Waterfall range of speakers and HF2-250X or HF3-500X subwoofer
- Suitable for rooms 20 to 35 m² / 215 to 375 ft²



TECHNICAL DETAILS

TYPE	2 way - 3 drivers
RECOMMENDED AMPLIFIER (WITHOUT CLIPPING)*	40 - 150 Watts
PEAK POWER	300 Watts
IMPEDANCE (AVERAGE/MINI)	8 / 4 Ohms
EFFICIENCY (2.83V/1M)	88 dB
FREQUENCY RESPONSE (+/- 3 dB)	50 Hz - 28 kHz
ULTRA LOW FREQUENCY DRIVER	1 x 210 mm / 8" Atohm UFR210
BASS / MIDRANGE DRIVER	1 x 150 mm / 6" Atohm LD150
TWEETER	1 x 20 mm / 0,75" Atohm SD20
DIMENSIONS (width x depth x height in mm) (approx. inches)	250 x 250 x 870 / 9.84" x 9.84" x 34.25"
WEIGHT Kg (approx. lbs.)	14 kg / 30.8 lbs

* Power without clipping: the use of an amplifier beyond its limits provokes clipping of the signal which might lead to destruction of the speaker (burnt voice coils). These damages are not covered by warranty.

WATERFALL AUDIO

ZA les praderies - 83 570 Carcès - France
waterfallaudio.com

Made in France. 5 years warranty on speakers, 2 years warranty on amplifiers (parts & service).
 We operate a policy of continuous improvement and reserve the right to amend designs and specifications without prior notice.



All drivers are developed and manufactured by ATOHM (France).