

WATERFALL AUDIO

SOUND DESIGNERS

MADE IN FRANCE



DATA SHEET

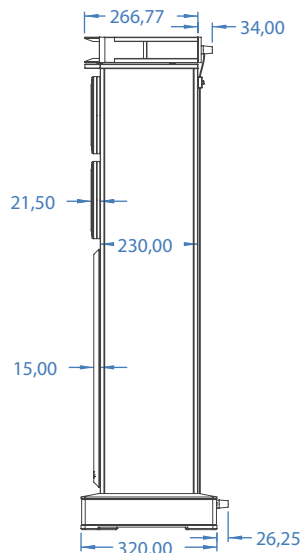
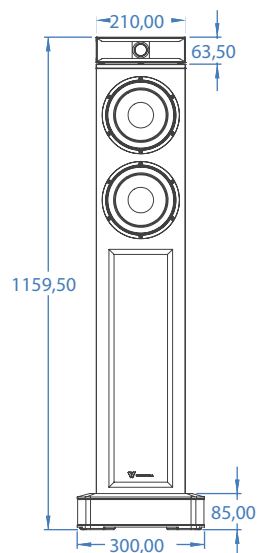
FLOOR STANDING GLASS LOUDSPEAKERS NIAGARA XT3

KEY POINTS

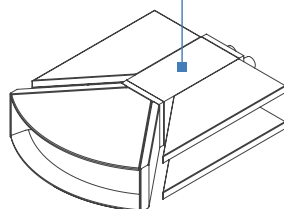
- Glass Horn tweeter, 10 mm glass cut pieces
- Safety glass, for residential (indoor)
- Ultimate luxury and timeless design
- Top of our range
- Exceptional materials: 10mm platinum glass, solid aluminum and nappa leather
- Flexible to all music types and programs
- 21 cm / 8" Passive driver with tunable low frequency (1 weight supplied)

AUDIO APPLICATIONS

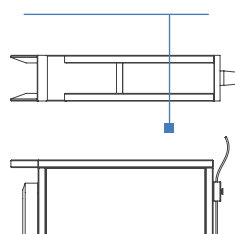
- Exceptional speaker to be associated to esoteric electronics
- Home cinema front or rear speakers associated to the Waterfall range of speakers and HF2-250X or HF3-500X subwoofer
- Suitable for rooms 25 to 60 m²



Glass horn tweeter with solid aluminium



Horn mechanically decoupled



TECHNICAL DETAILS

TYPE	2 ½ way – 4 drivers
RECOMMENDED AMPLIFIER (WITHOUT CLIPPING)*	40 -250 Watts
PEAK POWER	500 Watts
IMPEDANCE (AVERAGE/MINI)	8 / 4 ohms
EFFICIENCY (2.83V/1M)	90 dB
FREQUENCY RESPONSE (+/- 3dB)	35 Hz - 28 kHz
ULTRA LOW FREQUENCY DRIVER	1 x 210 mm, Atohm UFR210
BASS / MIDRANGE DRIVER	2 x 180 mm, Atohm LD180
TWEETER	1 x 20 mm, Atohm SD20X + glass horn
DIMENSIONS (width x depth x height in mm)	300,00 x 346,25 x 1169,20
WEIGHT Kg (approx. lbs.)	44 kg

* Power without clipping: the use of an amplifier beyond its limits provokes clipping of the signal which might lead to destruction of the speaker (burnt voice coils). These damages are not covered by warranty.

WATERFALL AUDIO

ZA les praderies - 83 570 Carcès - France
waterfallaudio.com

Made in France. 5 years warranty on speakers, 2 years warranty on amplifiers (parts & service).
 We operate a policy of continuous improvement and reserve the right to amend designs and specifications without prior notice.



All drivers are developed and manufactured by ATOHM (France).