

# WATERFALL AUDIO

SOUND DESIGNERS

MADE IN FRANCE



## DATA SHEET SERIO

### KEY POINTS

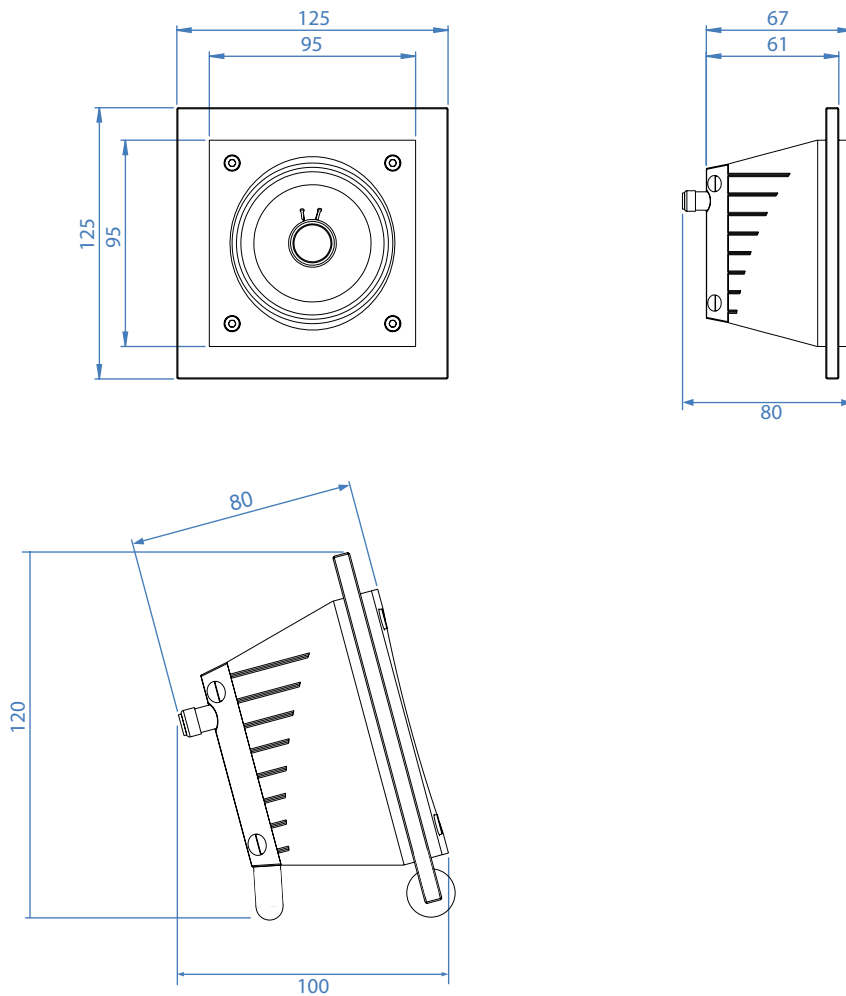
- On wall speaker/satellite (wall bracket supplied), only 8cm thickness
- High power handling\*, patented "Heatstream" technology
- Excellent finish, choice materials: safety glass and die cast aluminum
- Choice of black or white body with matching grill color.

#### Installation options:

- On wall vertical (bracket included)
- On wall angled (bracket supplied upon request)
- On shelf (3 rubber knobs included in box)

### AUDIO APPLICATIONS

- 2.1 stereo system or full Home cinema system coupled to our Waterfall HFM-200X subwoofer
- Surround speaker associated to the other Waterfall speakers (Pack 1, 2 & 3)
- Ultra-compact speakers to be associated to Flat panel TVs
- Suitable for rooms 15 to 30 m<sup>2</sup> / 160 to 320 ft<sup>2</sup>



## TECHNICAL DETAILS


TYPE	Full range, closed
RECOMMENDED AMPLIFIER*	30-80 Watts
PEAK POWER	150 Watts
IMPEDANCE (AVERAGE/MINI)	8/4 Ohms
EFFICIENCY (2.83V/1M)	87 dB
FREQUENCY RESPONSE (+/- 3 dB)	180 Hz- 20 kHz
FULL RANGE DRIVER	1 x 80 mm / 3" Atohm LD80
DIMENSIONS (width x depth x height in mm) (approx. inches)	125 x 80 x 125 / 4.92" x 3.15" x 4.92"
WEIGHT Kg / approx. lbs	1 kg / 2.2 lbs

\* Power handling: the use of an amplifier beyond its limits provokes clipping of the signal which might lead to destruction of the speaker (burnt voice coils). These damages are not covered by warranty.

## WATERFALL AUDIO

ZA les praderies - 83 570 Carcès - France  
[waterfallaudio.com](http://waterfallaudio.com)

Made in France. 5 years warranty on speakers, 2 years warranty on amplifiers (parts & service).  
 We operate a policy of continuous improvement and reserve the right to amend designs and specifications without prior notice.

 All drivers are developed and manufactured by ATOHM (France).