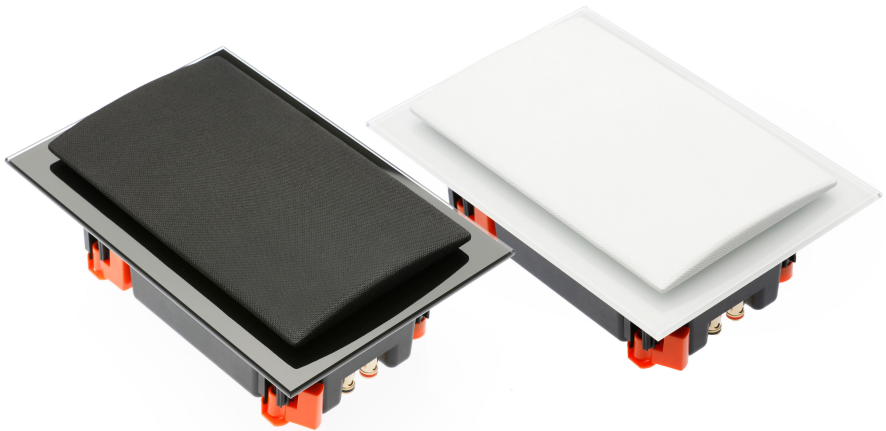


WATERFALL AUDIO
SOUND DESIGNERS

MADE IN FRANCE



USER'S MANUAL
HURRICANE
IN WALL GLASS

INFORMATIONS & OPERATING INSTRUCTIONS

Thank you for choosing Waterfall Audio speakers. Our deliberate choice for aesthetics and performance constantly guides us towards cutting-edge technologies and design combined with major innovations. The Hurricane in-wall is designed to work in perfect symbiosis with all Waterfall Audio loudspeakers, and is strongly recommended for use with a Waterfall Audio subwoofer.

MUST BE CONSULTED BEFORE USE.

TO BE KEPT AND PASSED ON IN THE EVENT OF RESALE.

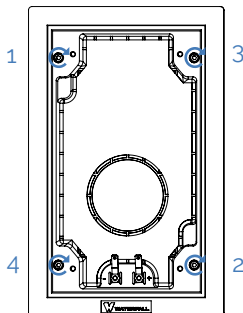
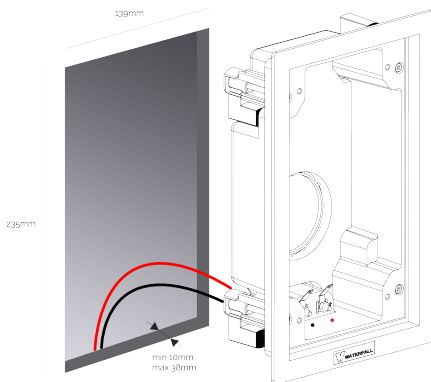
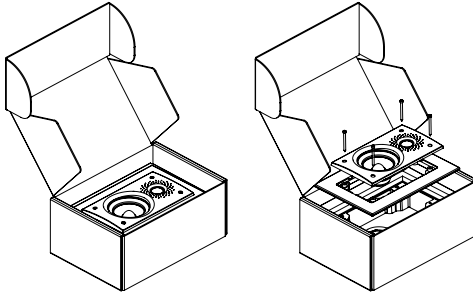
WARNING : BEFORE ANY DRILLING OPERATION, ALWAYS MAKE SURE TO CONSULT THE PLANS OF THE ROOM. TO ENSURE THAT THERE IS NO PIPE, ELECTRICAL CONDUIT OR ANY SPECIFIC INSTALLATION BEHIND THE WALL.

WARRANTY

Waterfall speakers have a 5 years warranty (parts & service) except amplifiers. Waterfall amplifiers have a 2 years warranty (parts & service). Check more on www.waterfallaudio.com (warranty section).

THIS DOCUMENT MUST BE PROVIDED IN THE EVENT OF RESALE

UNPACKING AND INSTALLATION



STEP 1

Open and remove the upper protective wedges then remove the 4 screws holding the front panel. Separate the front from the back box.

STEP 2

Cut out the partition using the template provided. Be sure to check its horizontality before starting cutting using a level.

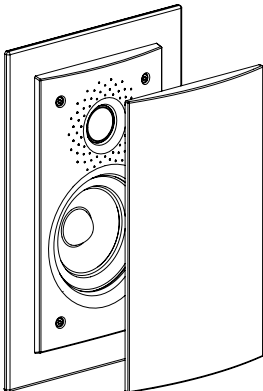
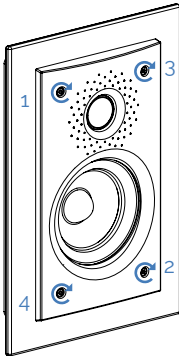
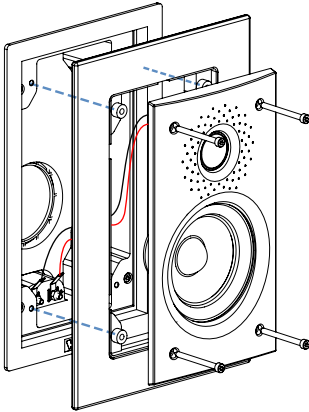
Before any drilling operation, always make sure to consult the plans of the room to ensure that there are no pipes, electrical conduits or any specific installations behind the wall.

Before installing the back box in the wall, connect the speaker cable. Check the + and - polarities.

Once the back box is in the wall, screw the 4 latches for permanent fixing.

Caution: cross screwing recommended (see diagram).

INSTALLATION



STEP 3

Connect the cables from the front to the terminals of the back box (respect the + and - polarities) then place the front panel + glass in the back box (be careful not to pinch the cables).

STEP 4

Gradually tighten the 4 screws to permanently attach the front to the back box.

Caution: cross screwing recommended (see diagram).

STEP 5

Install the protective cover (magnetic fixing)

CONNECTION TO YOUR AMPLIFIER

Connect directly Hurricane in-wall to the speaker sockets of your amplifier or audio video processor. Make sure that the + and - polarity are correct. **Never connect two speakers in parallel (or in series) on the same channel. Never connect your speakers to the mains.**



The "Waterfall Audio" cable is made from very high quality deoxygenated copper that is particularly well suited to your speakers. It is available from your dealer.

ACOUSTIC SET UP AND CONFIGURATION

SET UP OF YOUR AUDIO VIDEO PROCESSOR :

- Configure all speakers in "small" mode
- Choose 120Hz as the crossover frequency.
- Adjust levels and distances

In the case of "auto set up" configurations with microphones, check the consistency of the settings afterwards.

SET UP OF YOUR WATERFALL AUDIO SUBWOOFER :

- Switch "24-12-LFE" to the LFE position (note: on LFE the FREQ button is inactive, the crossover frequency is generated by the processor).
- Adjust the volume ("LEVEL") as required.
- PHASE: depending on the processor's bass management settings and certain distance parameters, phase inversion (180°) may be necessary.

A good phase connection will give a dense, homogenous sound reproduction. A poor phase match is characterised by a lack of energy in the lower midrange and an overly present high midrange.

WATERFALL AUDIO

ZA les praderies - 83 570 Carcès - France
waterfallaudio.com

Made in France, 5 years warranty on speakers, 2 years warranty on amplifiers (parts& service).
We operate a policy of continuous improvement and reserve the right to amend designs and specifications without prior notice.



All drivers and amplifiers are developed and manufactured by ATOHM (France).