

# WATERFALL AUDIO

SOUND DESIGNERS

MADE IN FRANCE



USER'S MANUAL  
SUBWOOFER  
FLEX200

## CONSEILS DE MONTAGE

---

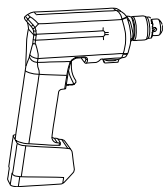
REVIEW THIS INSTRUCTION MANUAL BEFORE ASSEMBLY AND KEEP THEM FOR FUTURE REFERENCE.



BEFORE ANY DRILLING OPERATION, ALWAYS MAKE SURE TO CONSULT THE PLANS OF THE ROOM, TO ENSURE THAT THERE IS NO PIPE, ELECTRICAL CONDUIT OR ANY SPECIFIC INSTALLATION BEHIND THE WALL.

## NECESSARY MATERIALS - NOT PROVIDED

---



Screwdriver drill



M4 key



Meter



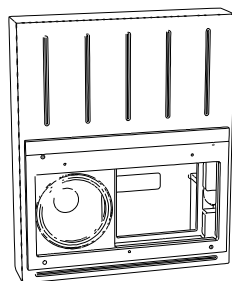
Silicone



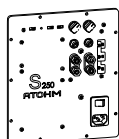
Bubble level

## CONTENT OF THE BASIC PACK

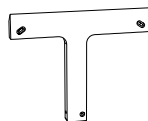
---



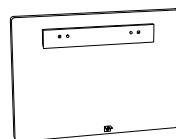
FLEX200 x 1



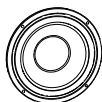
S250 x 1



T x 1



Radiator x 1



D180  
x 1



Disc  
x 4



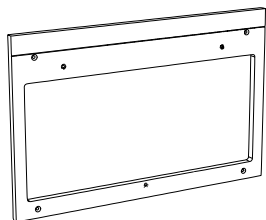
Screw BA13  
x 14



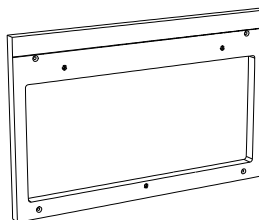
CHC M4 25  
x 4

## OPTIONAL ACCESSORIES

---



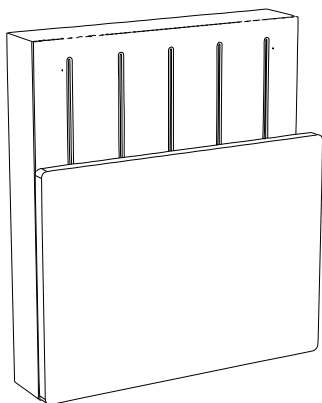
Optional frame 12mm



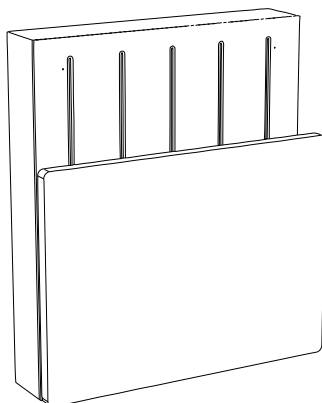
Optional frame 19mm

## MOUNTING OPTIONS

---



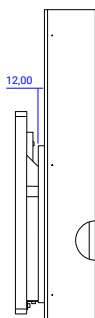
FLEX200 12mm



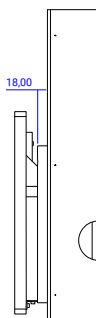
FLEX200 19mm

## POSSIBLE THICKNESSES

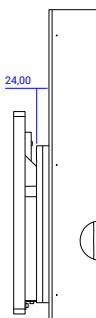
---



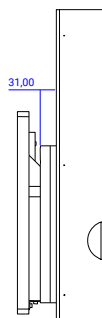
FLEX13



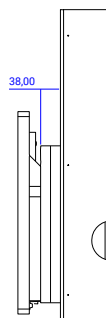
FLEX18



FLEX25



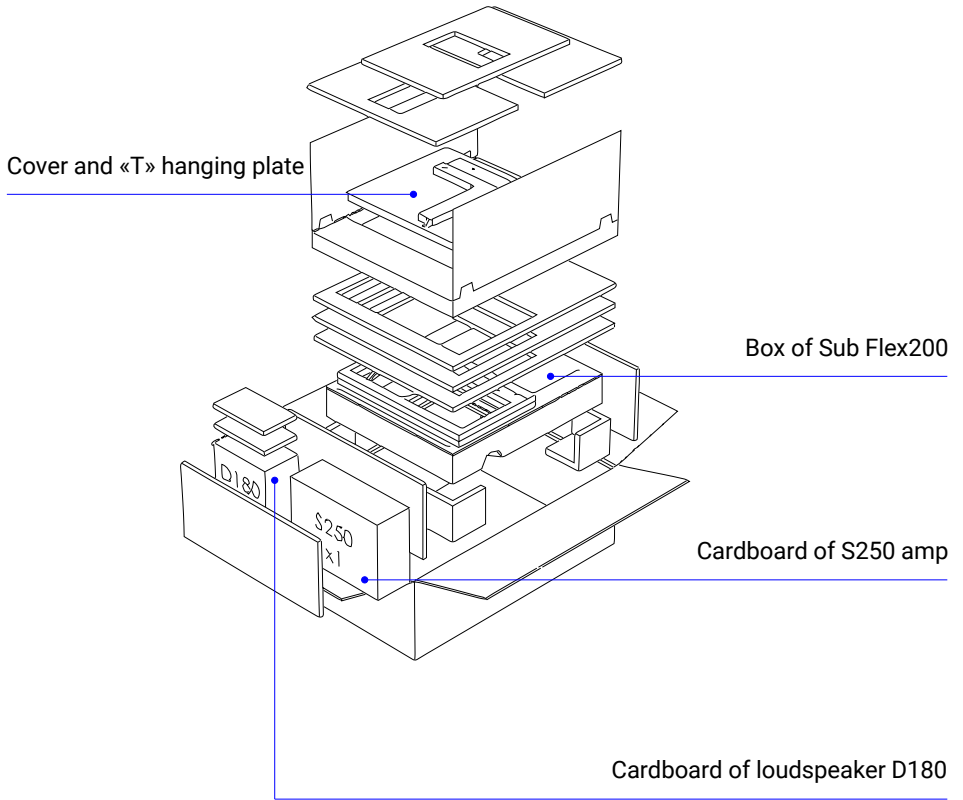
FLEX30



FLEX40

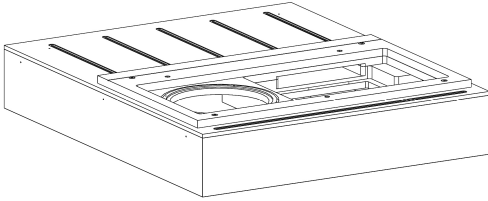
# PACKAGING

---



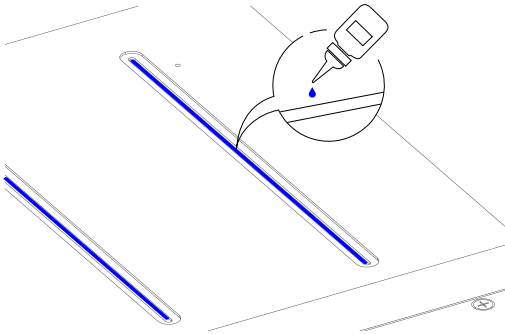
## STEP 1

Position the subwoofer on a flat surface.



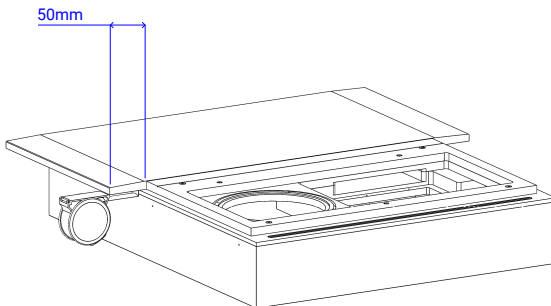
## STEP 2

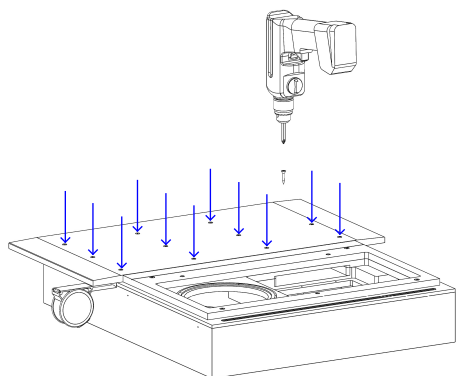
Apply silicon glue into the five grooves (silicon glue not supplied)



## STEP 3

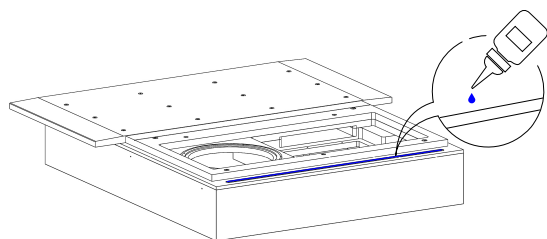
Position gypsum board 600mm.





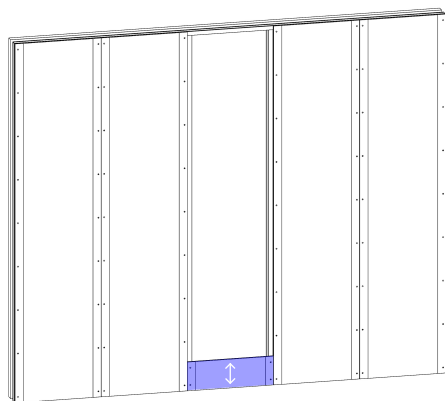
## STEP 4

Final assembly with 12 screws (screws supplied)



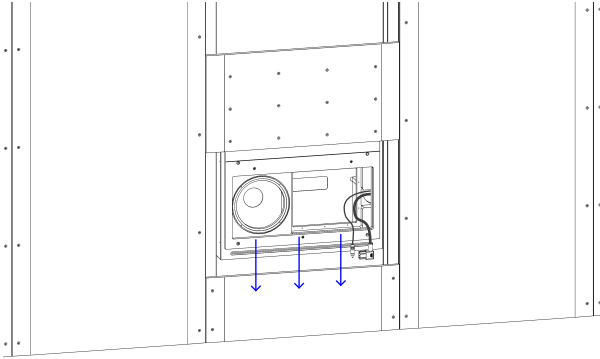
## STEP 5

Apply silicon glue into the groove (silicon glue not supplied)



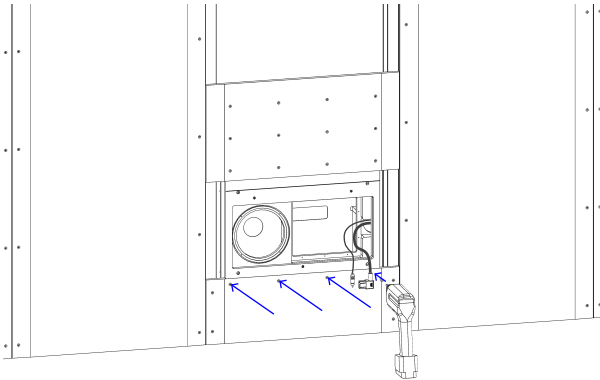
## INFORMATION

200mm minimum height



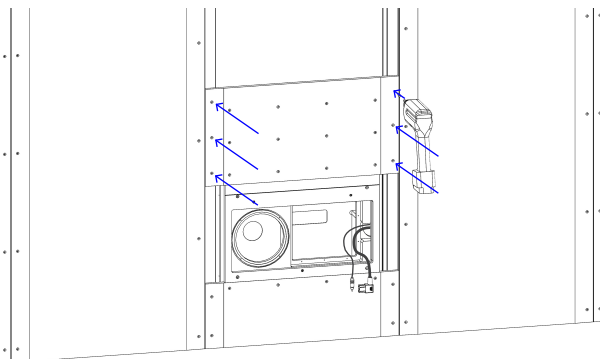
## STEP 6

1. Pull out power supply & modulation cable
2. Insert the sub into the wall



## STEP 7

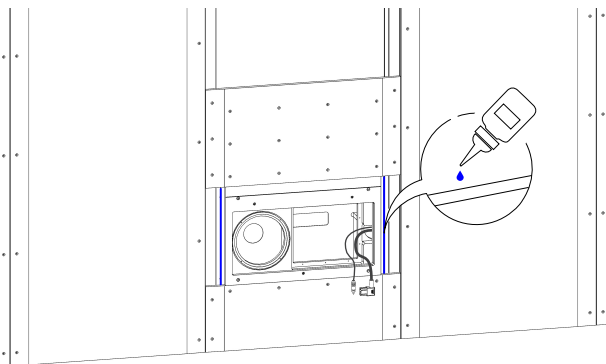
Fix the bottom with 4 screws (screws supplied)



## STEP 8

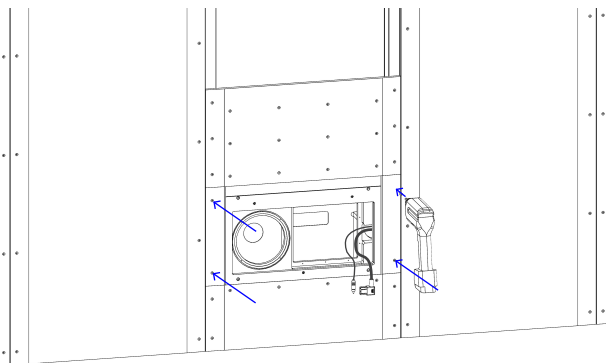
Fix each side with 3 screws (screws supplied)





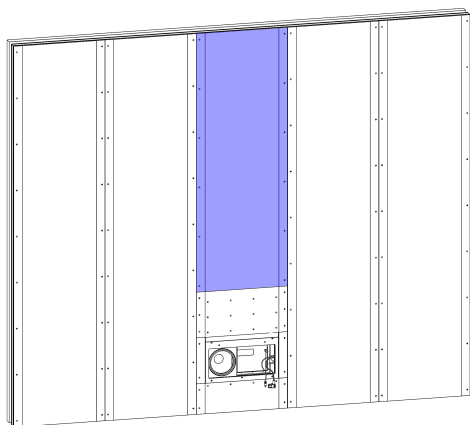
## STEP 9

Apply silicon glue on the surface (silicon glue not supplied)



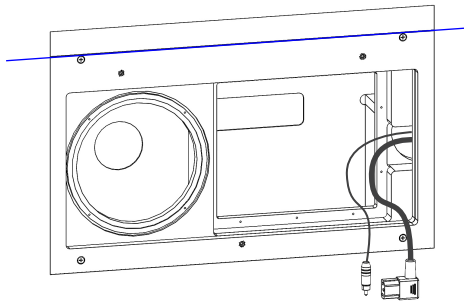
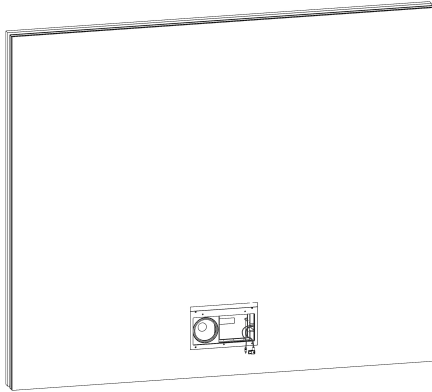
## STEP 10

Fix each side with 2 screws (screws supplied)

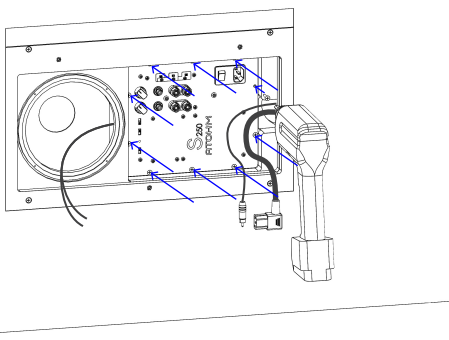


## STEP 11

Position panel to close the wall



*Note : for separate amp, see page 12*



## STEP 12

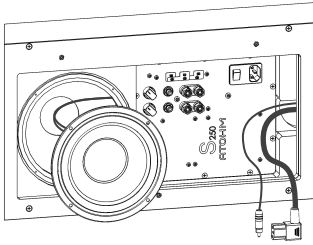
Finishing of wall

## INFORMATION

Painting or finish must not go below this line

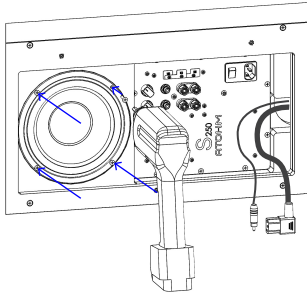
## STEP 13

1. Connect woofer cable to the amp (check polarities)
2. Pull out woofer cable
3. Fix the amp with 10 screws (screws supplied)



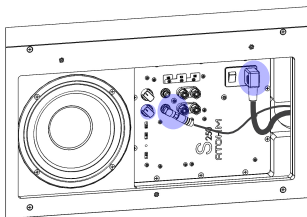
## STEP 14

Connect the woofer  
(7" AtohmD180)



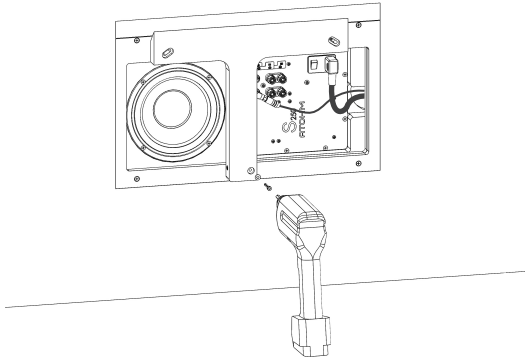
## STEP 15

Fix the woofer with 4  
screws (screws supplied)



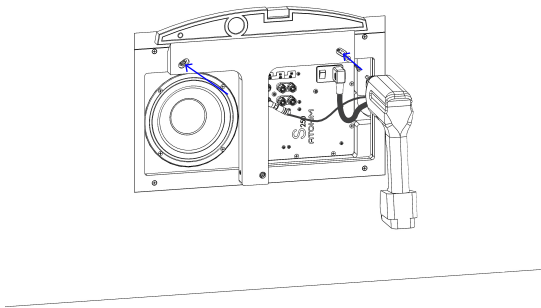
## STEP 16

1. Connect the mains & modulation cable
2. For setting, see instruction's manual



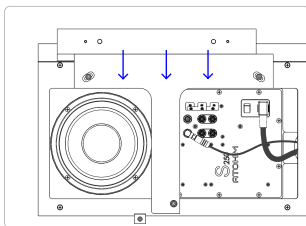
## STEP 17

Position «T» hanging plate & screw (screw supplied)



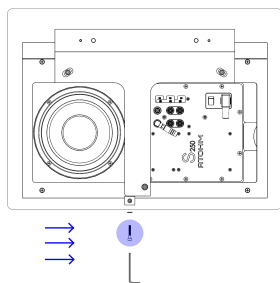
## STEP 18

Adjust level & lock in tightly with two screws (screws supplied)



## STEP 19

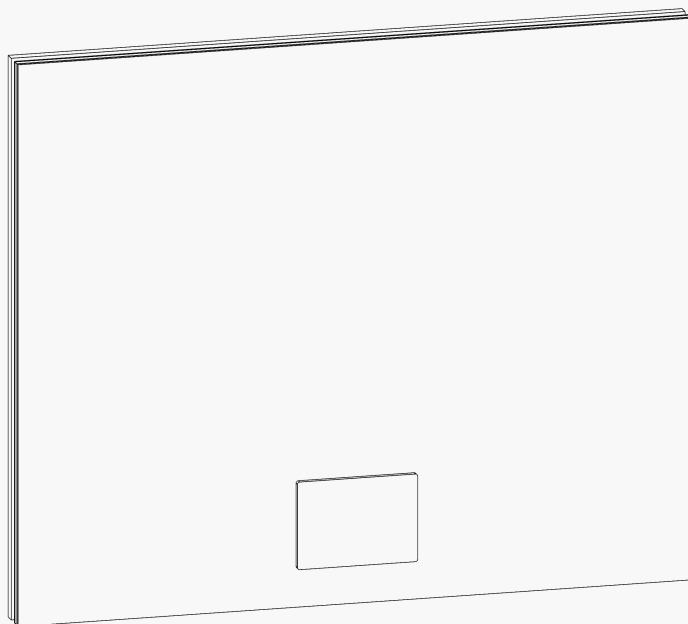
Position the cover on the «T» hanging plate



## STEP 20

1. Slide the cover
2. Secure it with the bottom screw (screw supplied)

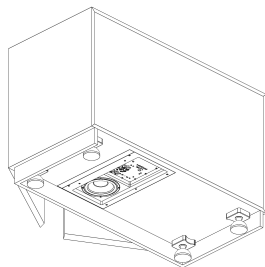
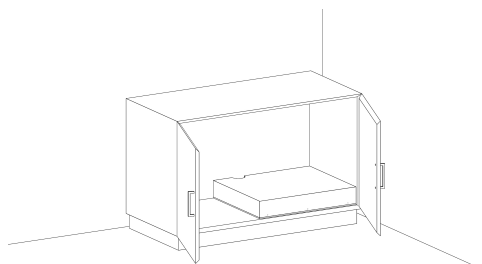
## VISUALISATION PRODUIT FINI





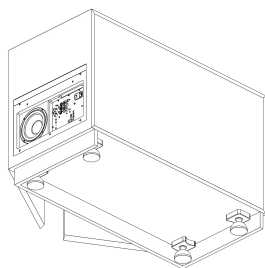
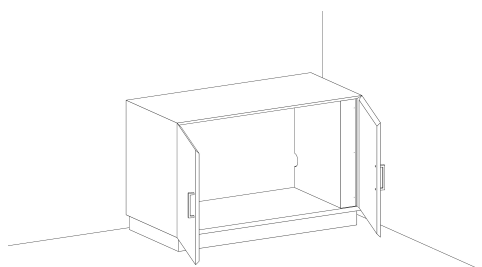
### IN-FURNITURE OPTION 1

---



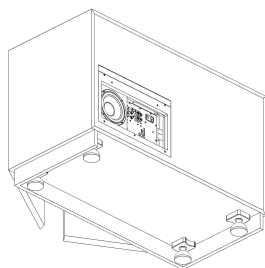
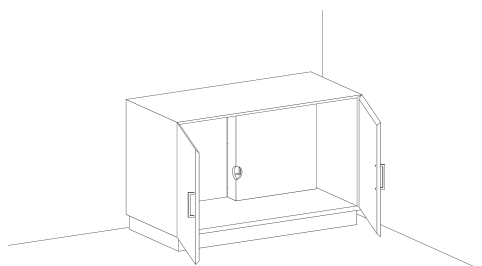
### IN-FURNITURE OPTION 2

---



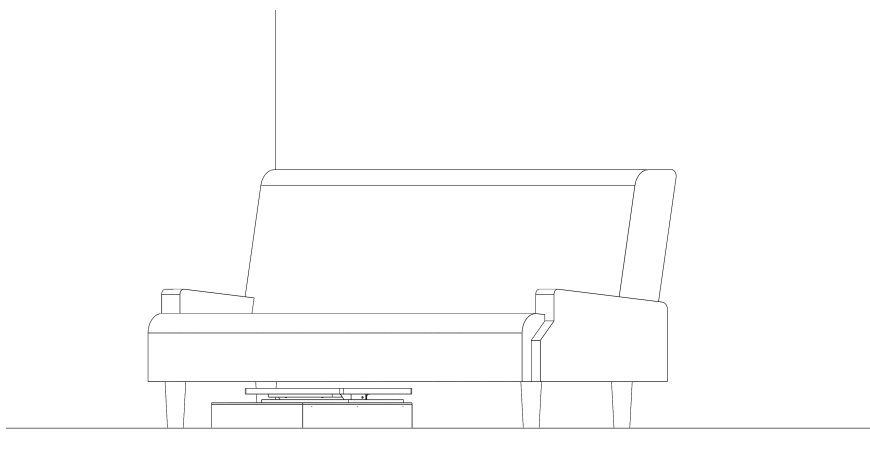
### IN-FURNITURE OPTION 3

---



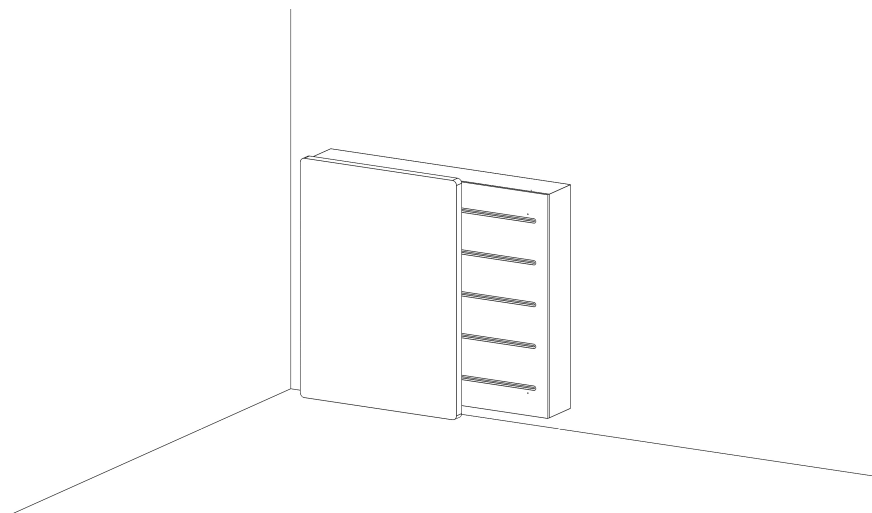
## UNDER SOFA

---



## ON WALL

---





## CLEANING

---

To clean your speakers you can use a window cleaner (Ajax window cleaner is ideal) with a soft, lint-free cloth. **Never use abrasive products: jex pad, sandpaper, etc.**

## WARRANTY

---

Waterfall speakers have a 5 years warranty (parts & service) except amplifiers. Waterfall amplifiers have a 2 years warranty (parts & service). Check more on [www.waterfallaudio.com](http://www.waterfallaudio.com) (warranty section).

**WATERFALL AUDIO**

ZA les praderies - 83 570 Carcès - France  
**waterfallaudio.com**

Made in France, 5 years warranty on speakers, 2 years warranty on amplifiers (parts& service).  
We operate a policy of continuous improvement and reserve the right to amend designs and specifications without prior notice.



All drivers and amplifiers are developed and manufactured by ATOHM (France).